



**TECHNICAL SPECS: UV GREEN CLEAN BIO-WALL MAX 60"**  
**HVAC DUCT MOUNTED UV-C AIR DISINFECTION SYSTEM**  
**FOR CANNABIS GROW FACILITIES**

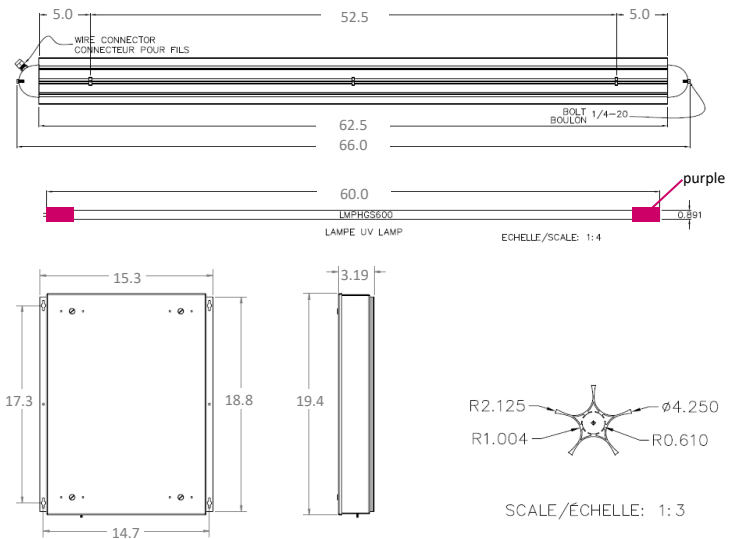
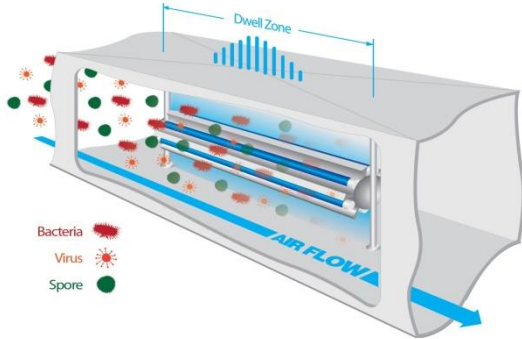


**Description**

The UV GREEN CLEAN BIO-WALL MAX 60" is a high intensity UVC air disinfection system designed to be mounted in the return or supply ducting of the HVAC System. The Bio-Wall Max 60" will destroy the harmful biological contaminants found within a Cannabis grow facility such as Powdery Mildew, Botrytis, Gray Mold, Downey Mildew, Bacteria and other associated airborne contaminants that can be harmful to the plants and terpenes. The Bio-Wall Max 60" is designed to be used in tandem with your HVAC system to prevent the outbreak of Powdery Mildew, and to allow the grower the most consistent product through the removal of all airborne pathogens.

**UNIT/STANDARD EQUIPMENT** part number: **GCB10M60-G**

- Aluminum reflector assembly/steel ballast box casing. Combined shipping weight 51.5 lbs
- Lamp reflector assembly dimension: 5.25in diameter x 66in length
- Ballast box dimension: 19.4in height x 3.2in depth x 15.4in length
- Whole unit consumption: 120V /240V – 821.5 Watts @120. Hardwire to Power Source
- Remote 7" Display screen for lamp monitoring
- Dry contact(s) in ballast box for BMS – ON/OFF remotely + contact for door cut off switch
- 5 – 60" straight UVC lamps (part no. LMPHGS600)
- UVC 254nm lamp wavelength
- 5 –120V/240V dual voltage ballasts (part BST120/277SHS)
- 5 – High intensity aluminum reflectors
- ETL C/US Listed
- **Warranty:** ballast-15 years, lamp-2 years



<b>QTY:</b>	
<b>PROJECT:</b>	
<b>LOCATION:</b>	
<b>ARCHITECT:</b>	
<b>ENGINEER:</b>	
<b>CONTRACTOR:</b>	
<b>DATE:</b>	
<b>NOTES:</b>	

**Drawings for:**  
 information    approval